



QUALITY FOOD SERVICE EQUIPMENT

SPECIFICATION SHEET

Model #:	_____	Qty:	_____
Project #:	_____		
Consultant:	_____		

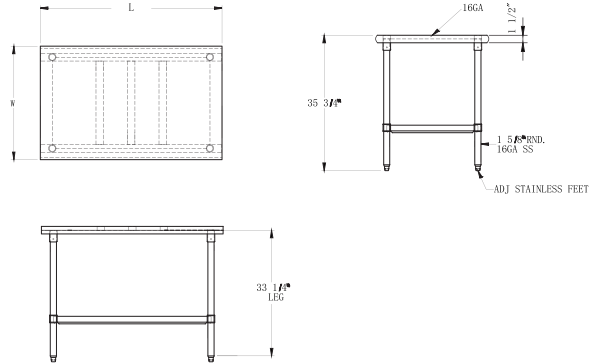
**New
item**

PREMIUM WORK TABLES

NSF

DIMENSIONS

flat top



MATERIAL

- ◆ 16GA 304 stainless steel top
- ◆ Stainless steel lower shelf
- ◆ Stainless steel legs
- ◆ Stainless steel bullet feet

FEATURES

- ◆ Bullnose front and rear edge
- ◆ Adjustable lower shelf
- ◆ Adjustable bullet feet (*has 6 legs)

Model#	Length	Width
TS6-2424	24"	24"
TS6-3024	30"	24"
TS6-3030	30"	30"
TS6-3624	36"	24"
TS6-3630	36"	30"
TS6-4824	48"	24"
TS6-4830	48"	30"

Model#	Length	Width
TS6-6024	60"	24"
TS6-6030	60"	30"
TS6-7224	72"	24"
TS6-7230	72"	30"
TS6-8424*	84"	24"
TS6-8430*	84"	30"
TS6-9624*	96"	24"
TS6-9630*	96"	30"

(609) 642-8389 | sales@nbrequipment.com | www.nbrequipment.com